









IMPORTANT: This unit must be securely fixed to a wall. Ensure that the top is horizontal before marking the wall for fixing. The wall fixings supplied may not be suitable for your installation. You may need to source alternatives depending on the material and strength of the wall you are fixing to.

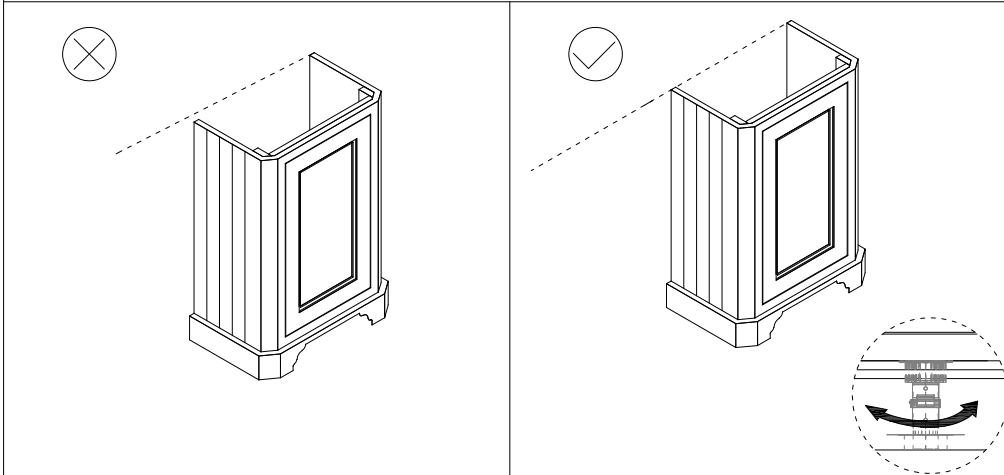
Buffers are supplied to stop the crash of the doors. These can be fitted if necessary.

NOTE: The basin is made to European standards (BS 3402) which allows for 6mm maximum distortion.

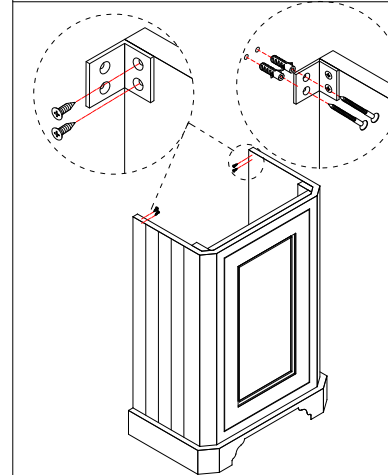
Parts Supplied:

	 ST4* 30mm						
4	4	2	4	4	12	1	1

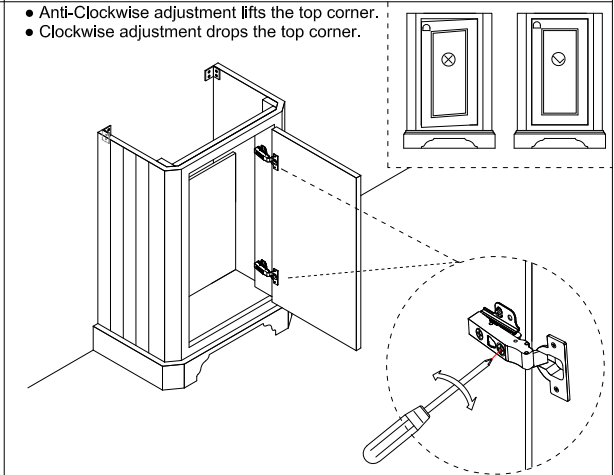
- Place the cabinet in final position, and check for level. If not, please adjust the feet at the bottom of the cabinet.



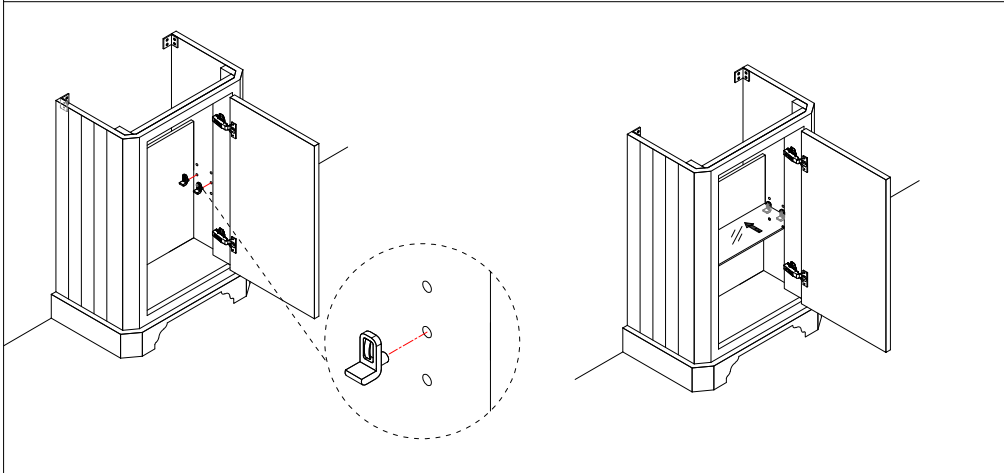
- Fix the cabinet onto the wall.




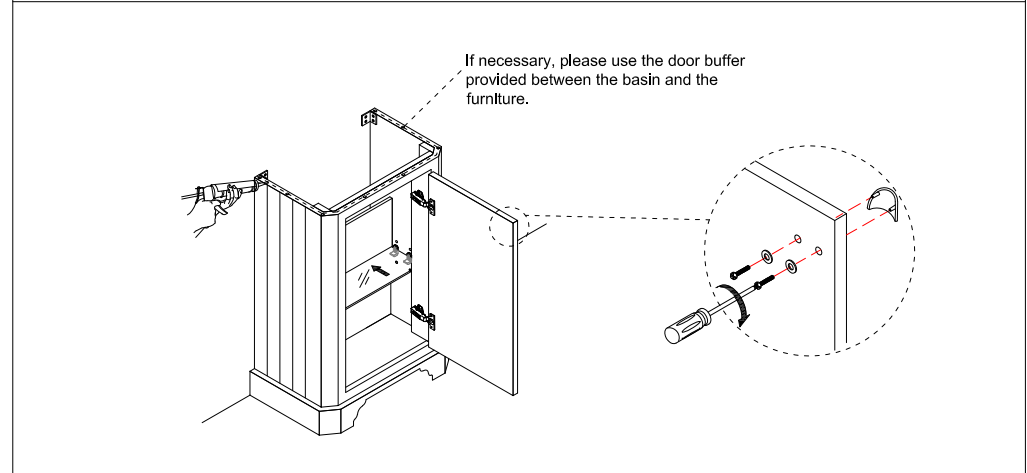
- Check the door for level. If not, please adjust the screw on the hinge.



- Please remove the protecting film before installing the glass shelf.
- Please plug in plastic clamp in the proper position, then insert the glass shelf.



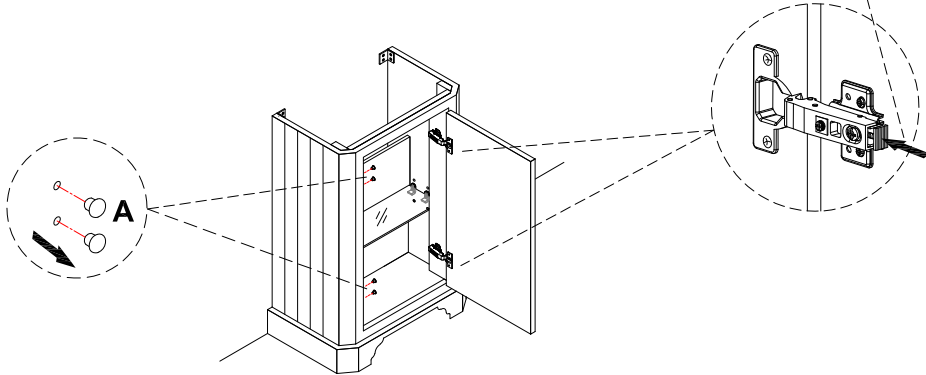
-  Place silicon seal to top surfaces where basin sits, and back edge of basin to wall. This is to prevent water collecting between the basin and the cabinet.



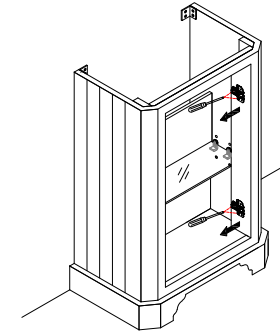
Instructions for door up/down reversal

1: Unscrew the hinges from the carcass, and from the opposite side remove parts A.

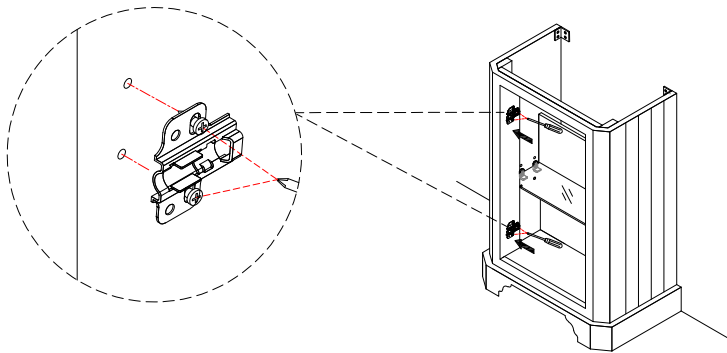
Press the end of the hinge plate to release it from the base.



2: Unscrew the hinge base from the cabinet.

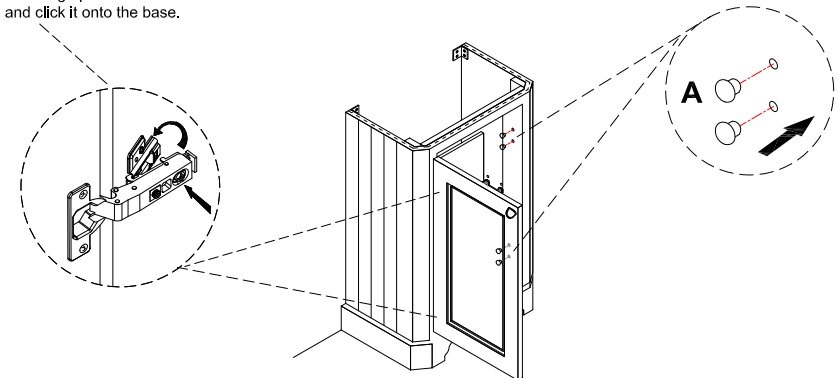


3: Attach the two hinge bases onto the opposite side panel in the right position as shown in the below diagram.



4: Reattach the door to the carcass, and insert parts A.

Press the hinge plate towards the base and click it onto the base.



Care and Maintenance: This is a wood product, and has a water resistant finish. It should not be left wet, and the quality of the finish is best maintained if it is wiped with a dry cloth after use. It should only be cleaned using a soft damp cloth followed by a dry cloth. Do not use bleach or any abrasive cleaner.

**Please decide the location of the handles (left hand or right hand).
Then use the template supplied to drill the handle holes.
They should be countersunk holes as the below diagram.**

