

Talis E
Single lever basin mixer 110 without waste set
 Finish: **Chrome** Article Number: **71712000**



Description

product features

- ComfortZone 110
- projection: 112 mm
- spout height: 104 mm
- handle variant: lever handle
- spray type: normal spray
- maximum flow rate at 3 bar: 5 l/min
- ceramic cartridge
- temperature limitation adjustable
- suitable for continuous flow water heaters
- connection type: G 3/8 connections
- connection dimension: DN15
- EU taxonomy: max. 6 l/min - Substantial Contribution (SC) possible

Technology



Design awards



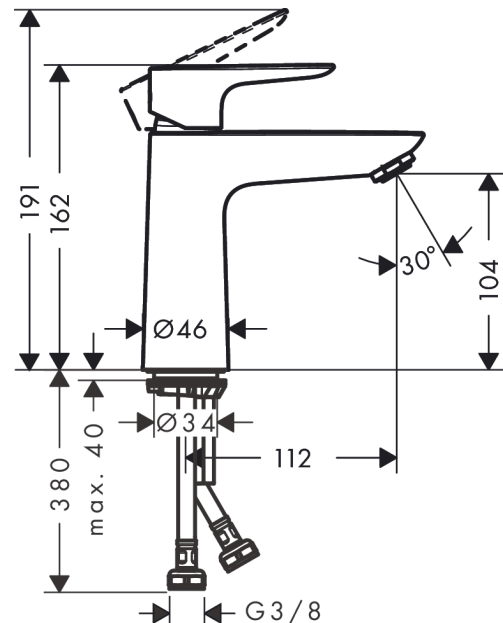
Certificates / Sustainability



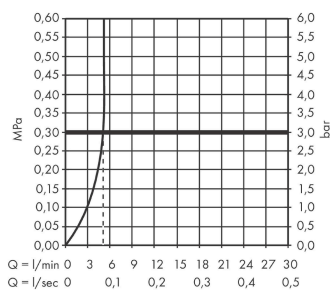
Product image



Scale drawing



Flowchart



Talis E
Single lever basin mixer 110 without waste set
 Finish: **Chrome** Article Number: **71712000**



Spare part list

Year of production: >05/17

| Pos. | Description | Article Number | PC | PU |
|------|-------------------------------------|----------------|----|----|
| 1 | handle | 92687000 | 10 | 1 |
| 2 | screw cover | 95704000 | 1 | 1 |
| 3 | hollow set screw M6x10 DIN 916 | 96029000 | 1 | 1 |
| 4 | flange | 92625000 | 8 | 1 |
| 5 | nut | 92689000 | 7 | 1 |
| 6 | O-ring 25x1,5 | 98146000 | 1 | 1 |
| 7 | O-ring 27x1,5 | 92527000 | 4 | 1 |
| 8 | cartridge, assy | 97685000 | 11 | 1 |
| 9 | seal | 98865000 | 8 | 1 |
| 10 | adapter for cartridge | 92628000 | 6 | 1 |
| 11 | adapter for cartridge | 98866000 | 8 | 1 |
| 12 | O-ring 23x2 | 98398000 | 1 | 1 |
| 13 | aerator M24x1 (5 l/min) | 13185000 | 98 | 1 |
| 14 | screw M8 x 68 | 97736000 | 2 | 1 |
| 15 | seal Ø 42 | 98722000 | 2 | 1 |
| 16 | fixing set | 96016000 | 8 | 1 |
| 17 | connection hose 450 mm M8x0,75 G3/8 | 97206000 | 8 | 1 |
| 18 | O-ring 6,6x1,6 | 93019000 | 1 | 1 |