

ARM022-150 Bath mixer

ARM022 Chrome

Article Number

ARM022 Chrome - 9426626
ARM022 Matte Black - 9426627
ARM022 Brass - 9426628
ARM022 Copper - 9426629
ARM022 Bronze - 9426630
ARM022 Black Chrome - 9426631
ARM022 Honey Gold - 9426632
ARM022 brushed Black Chrome - 9426633
ARM022 Brushed Nickel - 9426634

Bathtub mixer with pressure balanced thermostat.



Cleaning

Wipe the surface with a soft cloth and lukewarm water and possibly with soap solution. Avoid alkaline, acid-liming or abrasive cleaners.

Brass is a material that over time gets a beautiful patina but can be polished with brass polish. Copper also gets patina but should not be polished. The other shiny surfaces retain their luster.

Decalcification

Aerators and shower handles should be regularly decalcified by placing them in a vinegar bath for a couple of hours. Should limescale stains occur, use eucalyptus oil and a soft cloth.

Lubrication

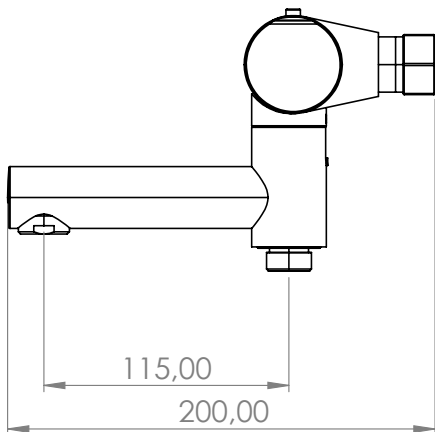
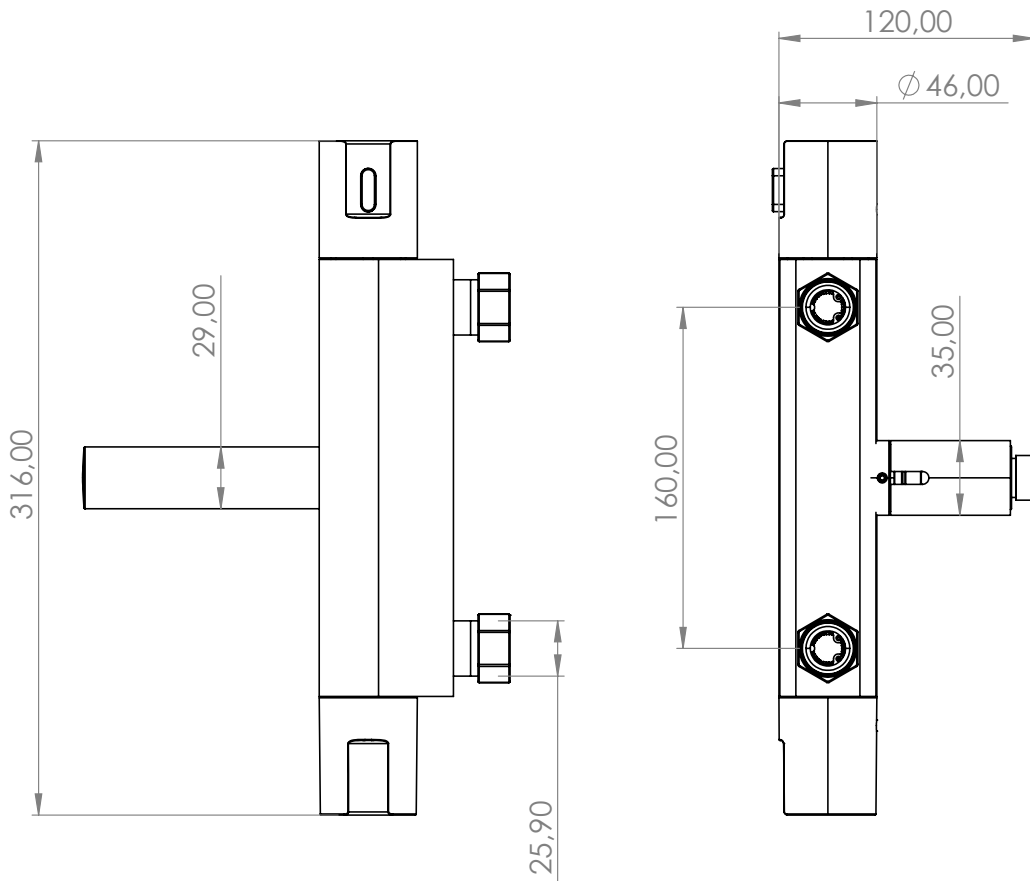
Lubricate only with silicone grease.

Maintenance

Visit our [YouTube channel](#) → where there are instructional videos for changing the ceramic cartridge, changing aerators and more.

Tapwell

Drawing - PDF



Tapwell

Exploded View

1. Termostatinsats ZVIT550
2. Låsmutter för insats ZGHI503
3. Termostatvred
4. Slang ZFLO001
5. Flödesvred
6. Keramisk insats ZVIT528 - EVM169
7. Fäste för handdusch
8. ZDOC095

