

Ecostat E
Shower thermostat for exposed installation
 Finish: **Chrome** Article Number: **15773000**

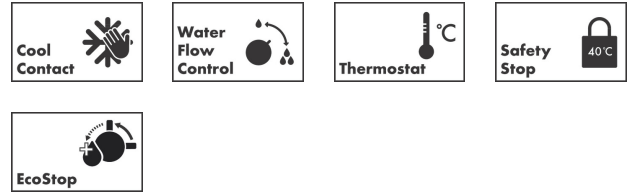


Description

product features

- 1 function
- EcoStop button limits the water consumption to 10 l/min
- CoolContact thermostat: Prevents the housing from heating up, making showering even safer
- thermostat cartridge
- maximum flow rate at 3 bar: 28,6 l/min
- min. operating pressure: 1 bar
- max. operating pressure: 10 bar
- Safety stop at 40 °C
- temperature limitation adjustable
- with isolated water conduction
- non-return valve
- with silencer
- suitable for continuous flow water heaters
- material handles: metal
- centre distance: 150 ± 12 mm
- connection dimension: DN15
- connection type: s-shaped connections, G ½
- dirt filter included

Technology



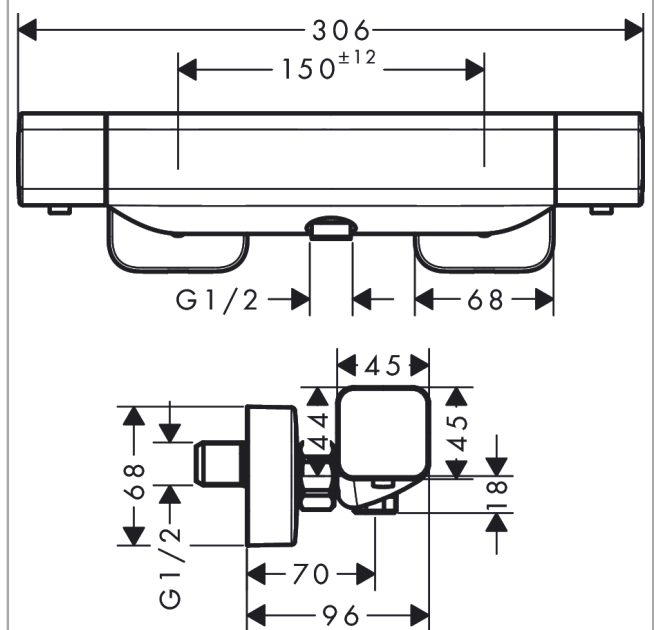
Certificates / Sustainability



Product image



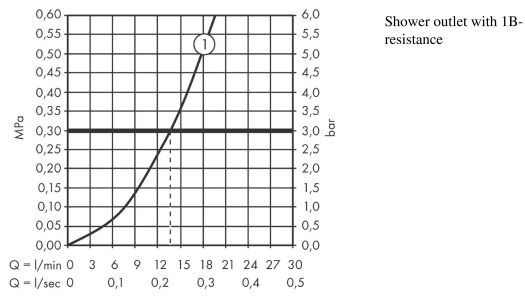
Scale drawing



Ecostat E
Shower thermostat for exposed installation
 Finish: **Chrome** Article Number: **15773000**



Flowchart

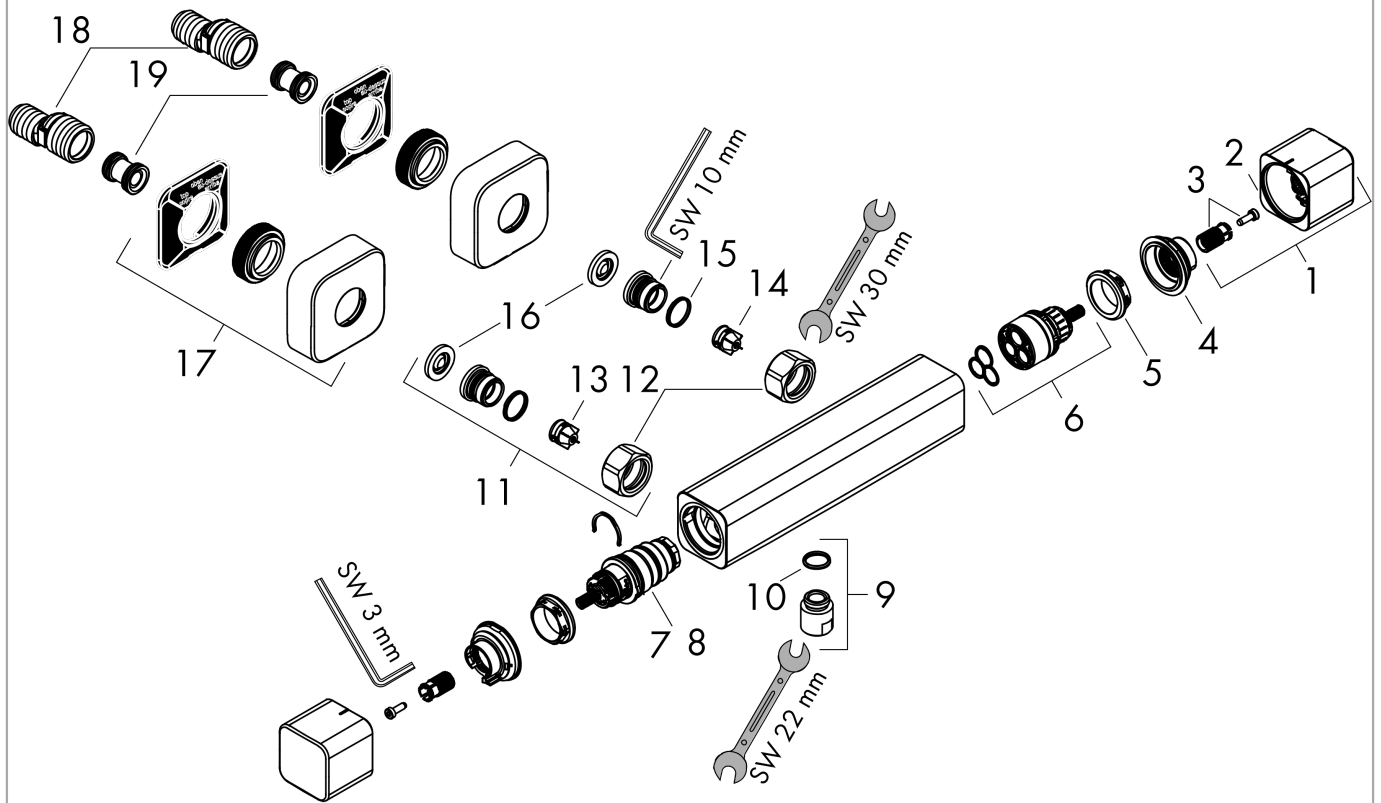


Ecostat E
Shower thermostat for exposed installation
 Finish: **Chrome** Article Number: **15773000**



Exploded Drawing

Year of production: >08/19



Ecostat E
Shower thermostat for exposed installation
 Finish: **Chrome** Article Number: **15773000**



Spare part list

Year of production: >08/19

| Pos. | Description | Article Number | PC | PU |
|------|---|----------------|----|----|
| 1 | handle | 93520000 | 13 | 1 |
| 2 | pushbutton | 92848000 | 2 | 1 |
| 3 | handle fixing set | 93228000 | 3 | 1 |
| 4 | safety set | 93519000 | 1 | 1 |
| 5 | nut | 98913000 | 6 | 1 |
| 6 | shut off unit | 95800000 | 11 | 1 |
| 7 | thermostat cartridge | 98282000 | 14 | 1 |
| 8 | cartridge for exchanged connections | 92373000 | 18 | 1 |
| 9 | connecting thread | 95392000 | 6 | 1 |
| 10 | O-ring 14x2 | 98129000 | 1 | 1 |
| 11 | set of unions | 94285000 | 99 | 1 |
| 12 | set of nuts | 96157000 | 8 | 1 |
| 13 | non return valve (pressure-resistant up to 2 MPa) | 93136000 | 8 | 1 |
| 14 | non return valve | 96737000 | 8 | 1 |
| 15 | O-ring 17x1,5 | 98137000 | 1 | 1 |
| 16 | filter packing | 96922000 | 3 | 1 |
| 17 | escutcheon | 93518000 | 7 | 1 |
| 18 | set of S-unions (±12 mm) | 94140000 | 10 | 1 |
| 19 | noise reduction | 96429000 | 2 | 1 |