

Single-lever basin mixer with raised base without pop-up waste

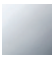


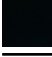
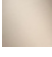


33 539 660



- 165 mm projection
- fixed spout
- circular, air-enriched flow
- height of mixer 300 mm
- height up to aerator 219 mm
- hole diameter 35 mm
- 2x screw-in M 8 x 1 pressure hose, leak-tested
- max. flow 5.7 l/min
- lead-free

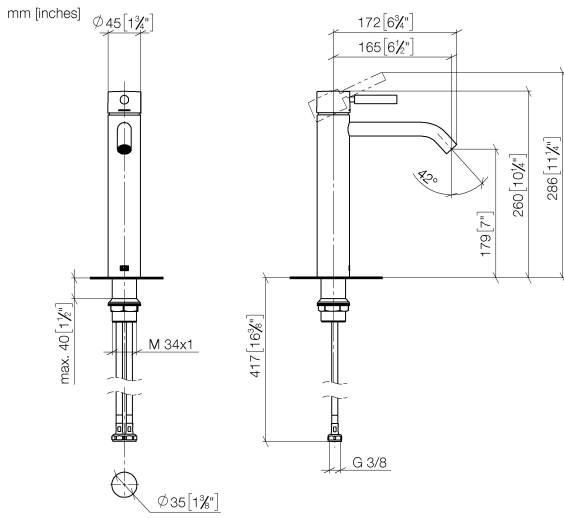
for use on counter-top bowls

Product change as of 1.4.2023: height of mixer 300 mm, height up to aerator 219 mm

	Chrome	33 539 660-00
	Brushed Platinum	33 539 660-06
	Dark Chrome	33 539 660-19
	Matte Black	33 539 660-33
	Brushed Champagne (22kt Gold)	33 539 660-46
	Champagne (22kt Gold)	33 539 660-47
	Brushed Chrome	33 539 660-93

Single-lever basin mixer with raised base without pop-up waste

33 539 660

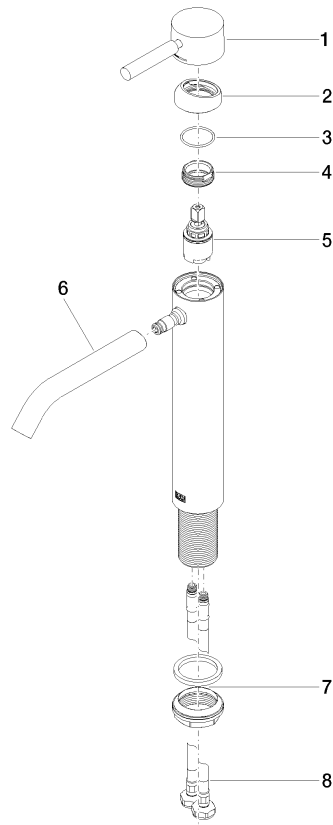


Flow rate chart



Single-lever basin mixer with raised base without pop-up waste

33 539 660



Spare parts list

No.	Item Number	Name	Quantity used	Delivery time
1	90 20 66 002 00-00	handle	1	10
2	09 28 30 041-00	cover	1	10
3	09 14 10 091 90	seal	1	2
4	09 24 04 266 90	nut	1	2
5	90 15 05 044 00 90	cartridge	1	2
6	90 11 06 208 00-00	spout	1	10
7	04 23 10 044 07 90	fixing set	1	2
8	04 30 04 101 00 90	hose	2	2