

## Single-lever basin mixer with raised base without pop-up waste






---

33 537 845



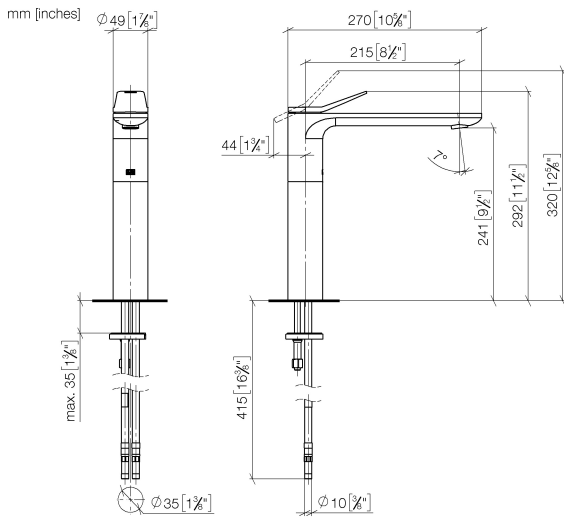
- 215 mm projection
- fixed spout
- circular, air-enriched flow
- height of mixer 292 mm
- height up to aerator 241 mm
- hole diameter 35 mm
- 2x screw-in M 8 x 1 pressure hose, leak-tested
- max. flow 5.7 l/min
- lead-free
- This product can help a building to meet requirements of Green Building Rating Systems, e.g. LEED®, BREEAM®, DGNB

for use on counter-top bowls

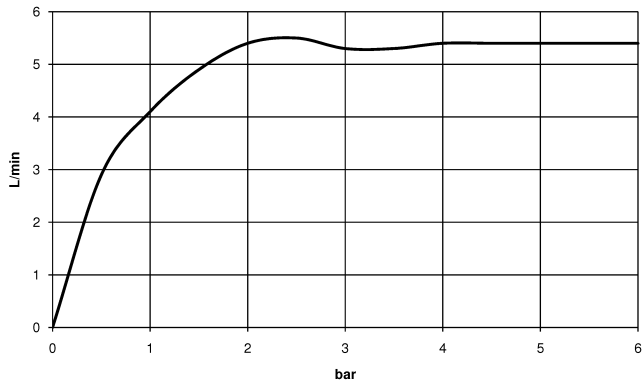
	Chrome	33 537 845-00
	Brushed Platinum	33 537 845-06
	Dark Chrome	33 537 845-19
	Matte Black	33 537 845-33
	Brushed Chrome	33 537 845-93

Single-lever basin mixer with raised base without pop-up waste

33 537 845

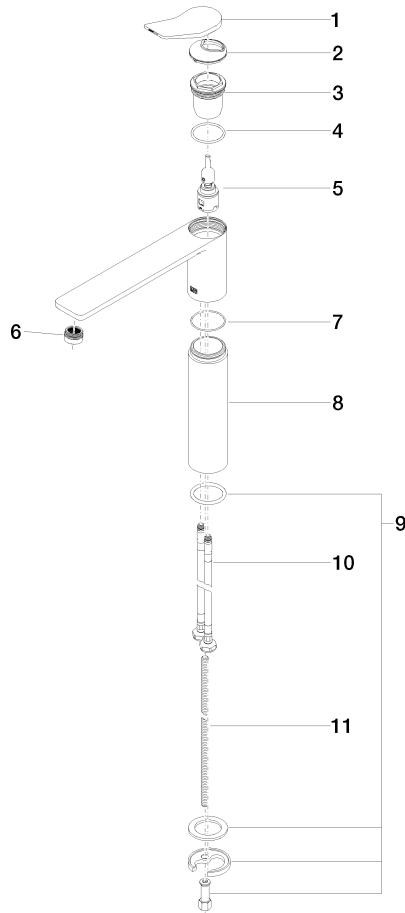


Flow rate chart



Single-lever basin mixer with raised base without pop-up waste

33 537 845



Spare parts list

No.	Item Number	Name	Quantity used	Delivery time
1	90 20 84 020 00-00	handle	1	10
2	09 28 30 034 90	cover	1	2
3	09 23 10 123 90	nut	1	2
4	09 14 10 038 90	seal	1	2
5	90 15 05 042 01 90	cartridge	1	2
6	90 23 01 161 01-00	aerator	1	10
7	09 14 10 108 90	seal	1	2
8	09 28 22 306-00	sleeve	1	10
9	04 30 11 038 75 90	fixing set	1	2
10	04 30 04 101 00 90	hose	2	2
11	09 31 11 095 90	pin	1	2