



Single-lever basin mixer with raised base without pop-up waste

33 534 809



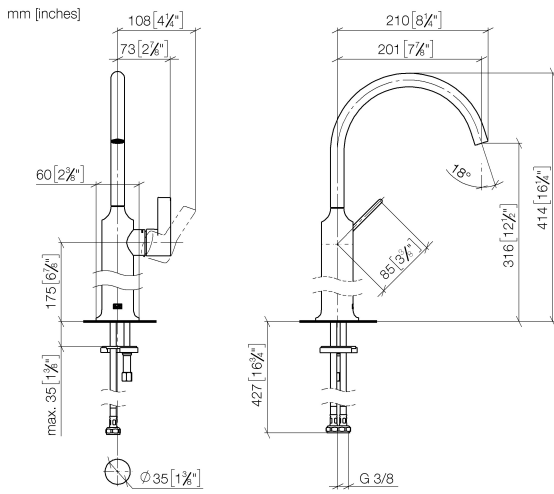
- 201 mm projection
- pivotable spout 360°
- circular, air-enriched flow
- height of mixer 414 mm
- height up to aerator 316 mm
- hole diameter 35 mm
- max. flow 5.7 l/min
- 2x screw-in M 8 x 1 pressure hose, leak-tested
- This product can help a building to meet requirements of Green Building Rating Systems, e.g. LEED®, BREEAM®, DGNB
- lead-free

for use on counter-top bowls

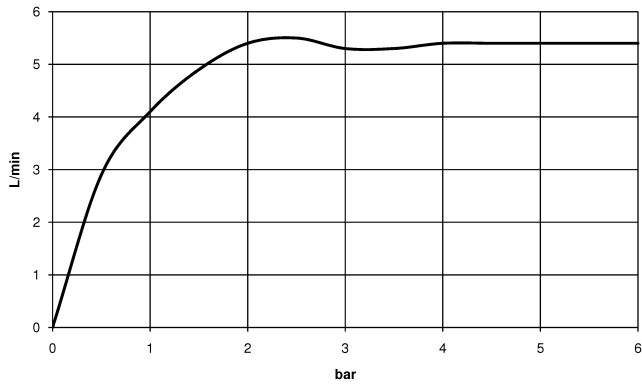
	Brushed Dark Platinum	33 534 809-99
	Chrome	33 534 809-00
	Brushed Platinum	33 534 809-06
	Platinum	33 534 809-08
	Dark Chrome	33 534 809-19
	Brushed Durabronze (23kt Gold)	33 534 809-28
	Brushed Bronze	33 534 809-42
	Brushed Champagne (22kt Gold)	33 534 809-46
	Champagne (22kt Gold)	33 534 809-47

Single-lever basin mixer with raised base without pop-up waste

33 534 809



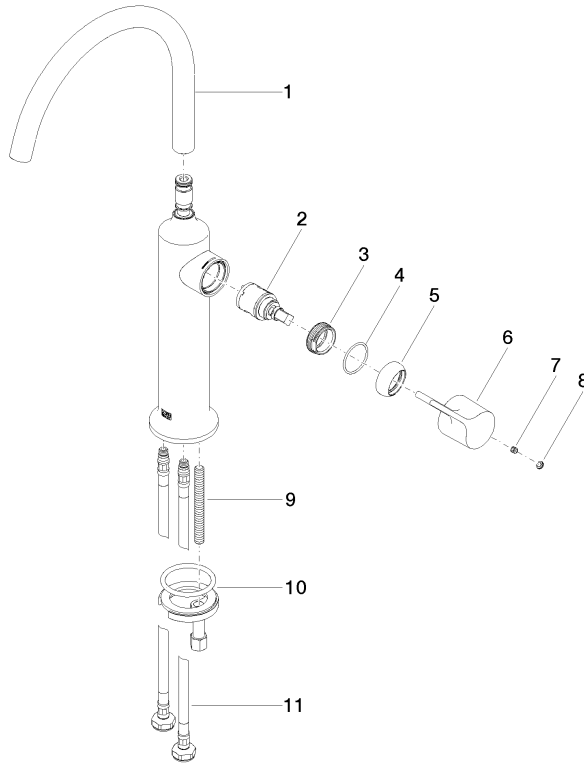
Flow rate chart



Single-lever basin mixer with raised base without pop-up waste

33 534 809

Parts for other finishes can be found here: [Chrome](#)



Spare parts list

No.	Item Number	Name	Quantity used	Delivery time
1	90 28 22 313 00-99	spout	1	30
2	90 15 05 042 00 90	cartridge	1	2
3	09 24 04 266 90	nut	1	2
4	09 14 10 091 90	seal	1	2
5	09 28 30 021-99	cover	1	30
6	09 20 80 020-99	handle	1	30
7	09 31 11 030 90	pin	1	2
8	90 31 20 087 00-99	plug	1	30
9	09 31 11 011 90	pin	1	2
10	04 30 11 038 00 90	fixing set	1	2
11	04 30 04 100 00 90	hose	2	2