

## Single-lever basin mixer without pop-up waste

---

33 521 710



- 155 mm projection
- fixed spout
- circular, air-enriched flow
- height of mixer 113 mm
- height up to aerator 90 mm
- hole diameter 35 mm
- 2x screw-in M 8 x 1 pressure hose, leak-tested
- max. flow 7 l/min
- lead-free
- WRAS: 2001005



Chrome

33 521 710-00

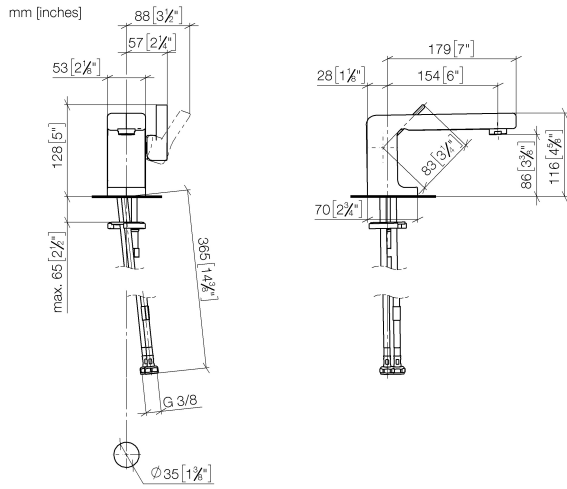


Brushed Platinum

33 521 710-06

## Single-lever basin mixer without pop-up waste

33 521 710



### Flow rate chart



# Single-lever basin mixer without pop-up waste

33 521 710

