

Single-hole basin mixer with raised base without pop-up waste

22 533 892



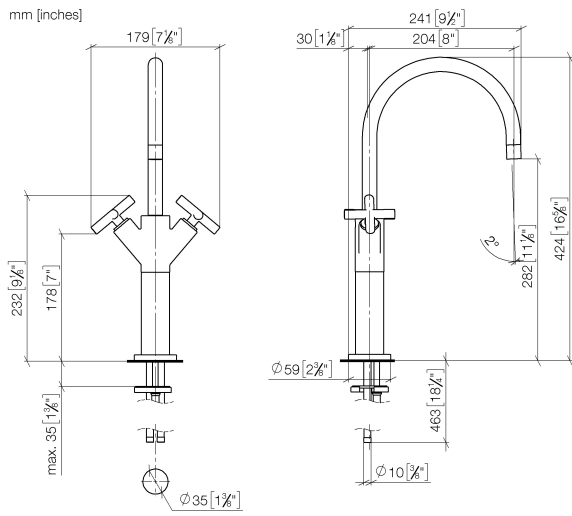
- 200 mm projection
- pivotable spout 360°
- circular, air-enriched flow
- height of mixer 425 mm
- height up to aerator 280 mm
- hole diameter 35 mm
- rosette Ø 59 mm
- 2x screw-in M 10 x 1 pressure hose, leak-tested
- max. flow 7 l/min
- lead-free
- This product can help a building to meet requirements of Green Building Rating Systems, e.g. LEED®, BREEAM®, DGNB

for use on counter-top bowls

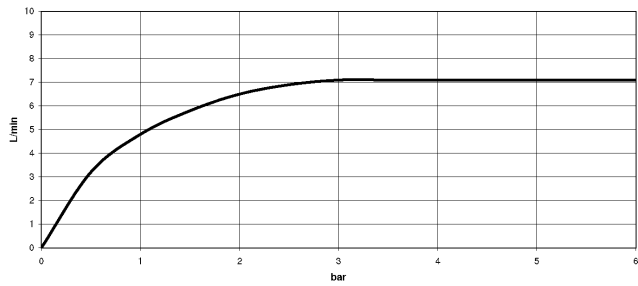
	Brushed Dark Platinum	22 533 892-99
	Chrome	22 533 892-00
	Brushed Platinum	22 533 892-06
	Platinum	22 533 892-08
	Matte White	22 533 892-10
	Dark Chrome	22 533 892-19
	Brushed Durabronze (23kt Gold)	22 533 892-28
	Matte Black	22 533 892-33
	Brushed Champagne (22kt Gold)	22 533 892-46
	Champagne (22kt Gold)	22 533 892-47
	Brushed Chrome	22 533 892-93

Single-hole basin mixer with raised base without pop-up waste

22 533 892



Flow rate chart



Single-hole basin mixer with raised base without pop-up waste

22 533 892

Parts for other
finishes can be found
here: [Chrome](#)

