

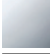





Single-hole basin mixer with pop-up waste

22 500 360



- 130 mm projection
- fixed spout
- circular, air-enriched flow
- height of mixer 100 mm
- height up to aerator 65 mm
- hole diameter 35 mm
- 2x screw-in M 10 x 1 pressure hose, leak-tested
- max. flow 7 l/min
- lead-free
- This product can help a building to meet requirements of Green Building Rating Systems, e.g. LEED®, BREEAM®, DGNB

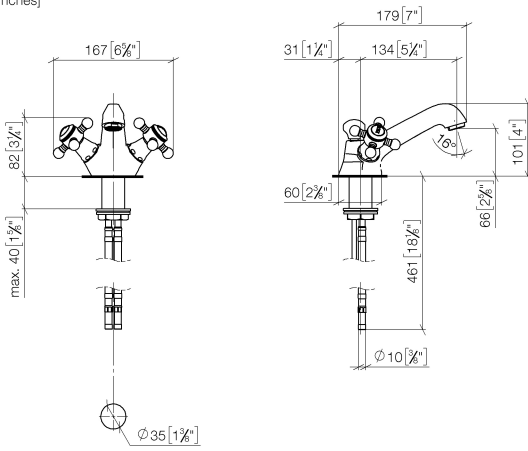
Only suitable for basins with an overflow.

	Chrome	22 500 360-00
	Brushed Platinum	22 500 360-06
	Platinum	22 500 360-08
	Durabronze (23kt Gold)	22 500 360-09
	Brushed Durabronze (23kt Gold)	22 500 360-28
	Brushed Dark Platinum	22 500 360-99

Single-hole basin mixer with pop-up waste

22 500 360

mm [inches]

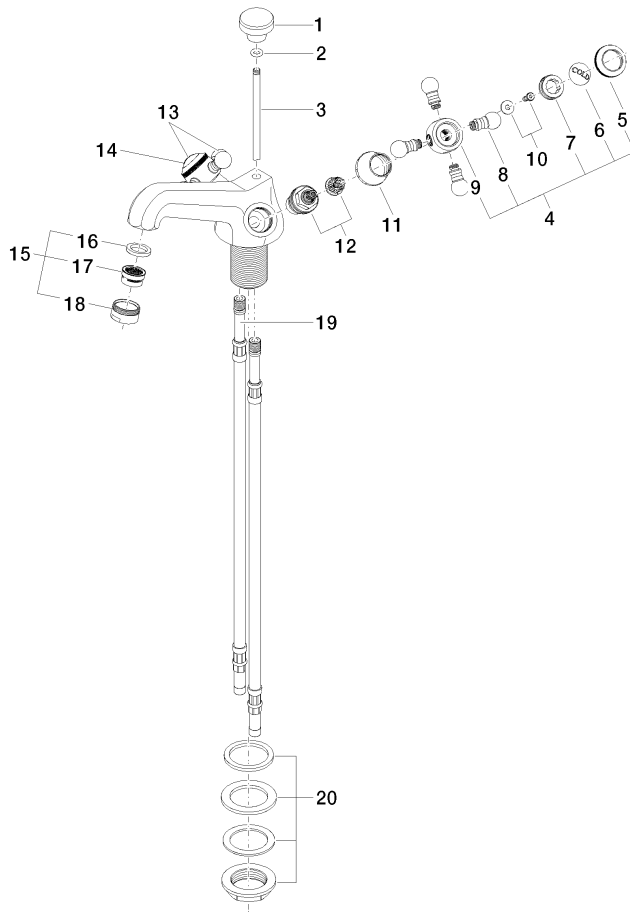


Flow rate chart



Single-hole basin mixer with pop-up waste

22 500 360



21 — Ablaugmitur 04.11.01.001.00-#