

Single-hole basin mixer with pop-up waste

22 302 892



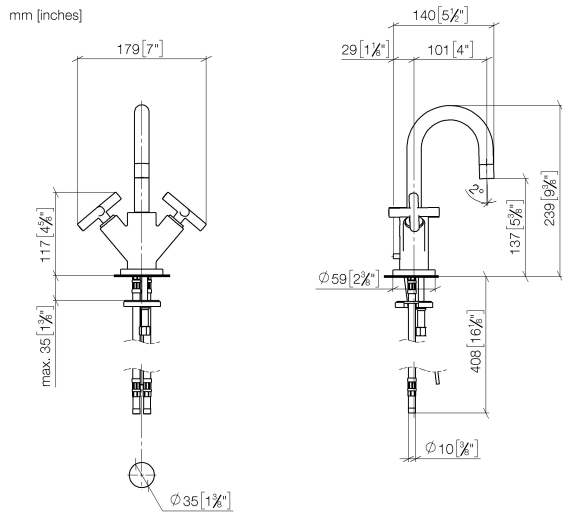
- 100 mm projection
- pivotable spout 360°
- circular, air-enriched flow
- height of mixer 235 mm
- height up to aerator 134 mm
- hole diameter 35 mm
- rosette Ø 59 mm
- 2x screw-in M 10 x 1 pressure hose, leak-tested
- max. flow 7 l/min
- lead-free
- This product can help a building to meet requirements of Green Building Rating Systems, e.g. LEED®, BREEAM®, DGNB

Only suitable for basins with an overflow.

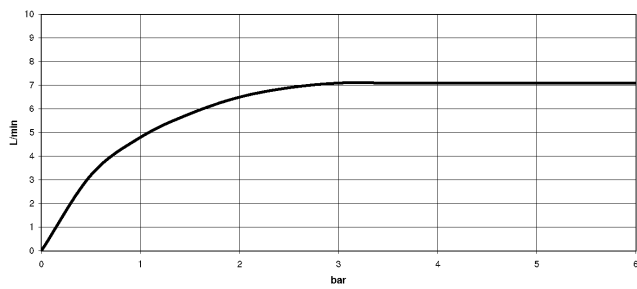
	Chrome	22 302 892-00
	Brushed Platinum	22 302 892-06
	Platinum	22 302 892-08
	Matte White	22 302 892-10
	Dark Chrome	22 302 892-19
	Brushed Durabronze (23kt Gold)	22 302 892-28
	Matte Black	22 302 892-33
	Brushed Champagne (22kt Gold)	22 302 892-46
	Champagne (22kt Gold)	22 302 892-47
	Brushed Chrome	22 302 892-93
	Brushed Dark Platinum	22 302 892-99

Single-hole basin mixer with pop-up waste

22 302 892



Flow rate chart



Single-hole basin mixer with pop-up waste

22 302 892

