

Ecostat
Bath thermostat Comfort for exposed installation
 Finish: **Chrome** Article Number: **13114000**

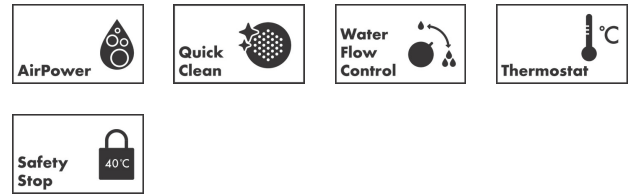


Description

product features

- projection 177 mm
- 2 functions
- thermostat cartridge, shut-off/ diverter valve
- spray type mixer: normal spray
- maximum flow rate at 3 bar: 20 l/min
- flow rate for bath spout at 3 bar: 20 l/min
- flow rate of hand shower at 3 bar: 16 l/min
- min. operating pressure: 1 bar
- max. operating pressure: 10 bar
- Safety stop at 40 °C
- temperature limitation adjustable
- non-return valve
- with silencer
- material handles: metal
- connection dimension: DN15
- connection type: s-shaped connections, G ½
- centre distance: 150 ± 12 mm
- dirt filter included

Technology



Design awards



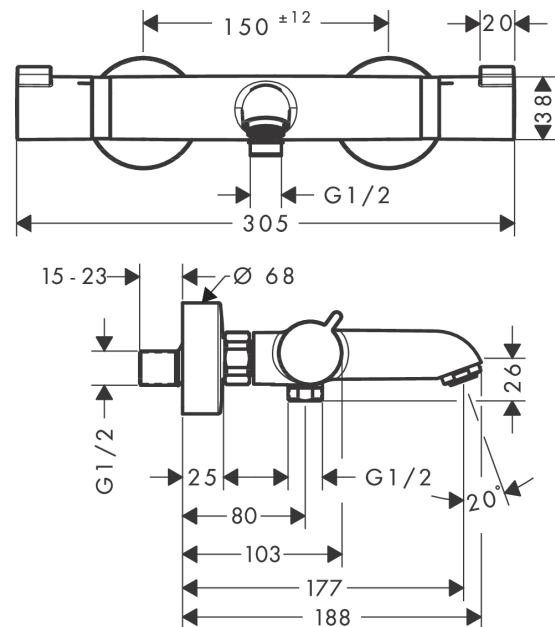
Certificates / Sustainability



Product image



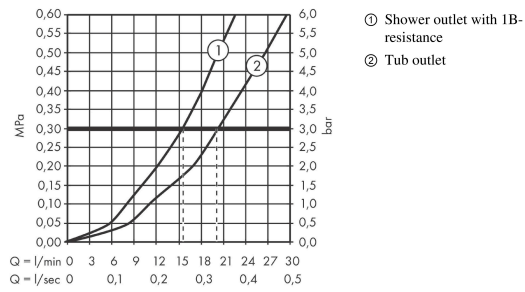
Scale drawing



Ecostat
Bath thermostat Comfort for exposed installation
 Finish: **Chrome** Article Number: **13114000**



Flowchart

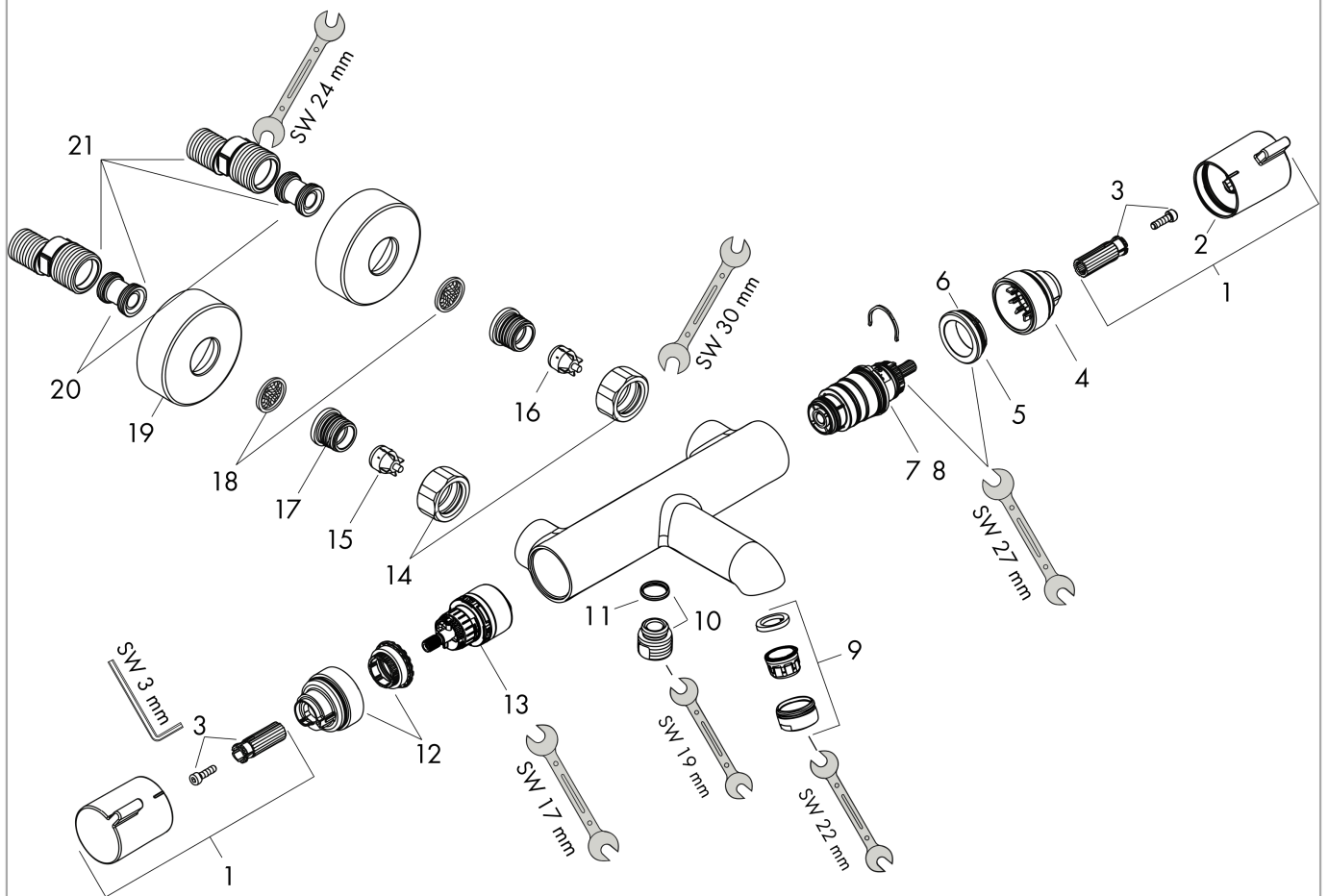


Ecostat
Bath thermostat Comfort for exposed installation
 Finish: **Chrome** Article Number: **13114000**



Exploded Drawing

Year of production: >07/12



Ecostat
Bath thermostat Comfort for exposed installation
 Finish: **Chrome** Article Number: **13114000**



Spare part list

Year of production: >07/12

Pos.	Description	Article Number	PC	PU
1	handle	95836000	8	1
2	pushbutton	92848000	2	1
3	handle fixing set	95843000	3	1
4	safety set	95839000	6	1
5	nut	98913000	6	1
6	O-ring 26x1,5	98390000	1	1
7	thermostat cartridge	98282000	14	1
8	cartridge for exchanged connections	92373000	18	1
9	aerator M24x1 (30 l/min)	96512000	5	1
10	connecting thread	95392000	6	1
11	O-ring 14x2	98129000	1	1
12	safety set	95840000	6	1
13	shut off unit with selector	98283000	12	1
14	set of nuts	96157000	8	1
15	non return valve (pressure-resistant up to 2 MPa)	93136000	8	1
16	non return valve	96737000	8	1
17	O-ring 17x1,5	98137000	1	1
18	filter packing	96922000	3	1
19	escutcheon Ø 68 mm	96467000	6	1
20	noise reduction	96429000	2	1
21	set of S-unions (±12 mm)	94140000	10	1
a	set of S-unions (±32 mm)	98592000	9	1
b	brake disc	92469000	3	1